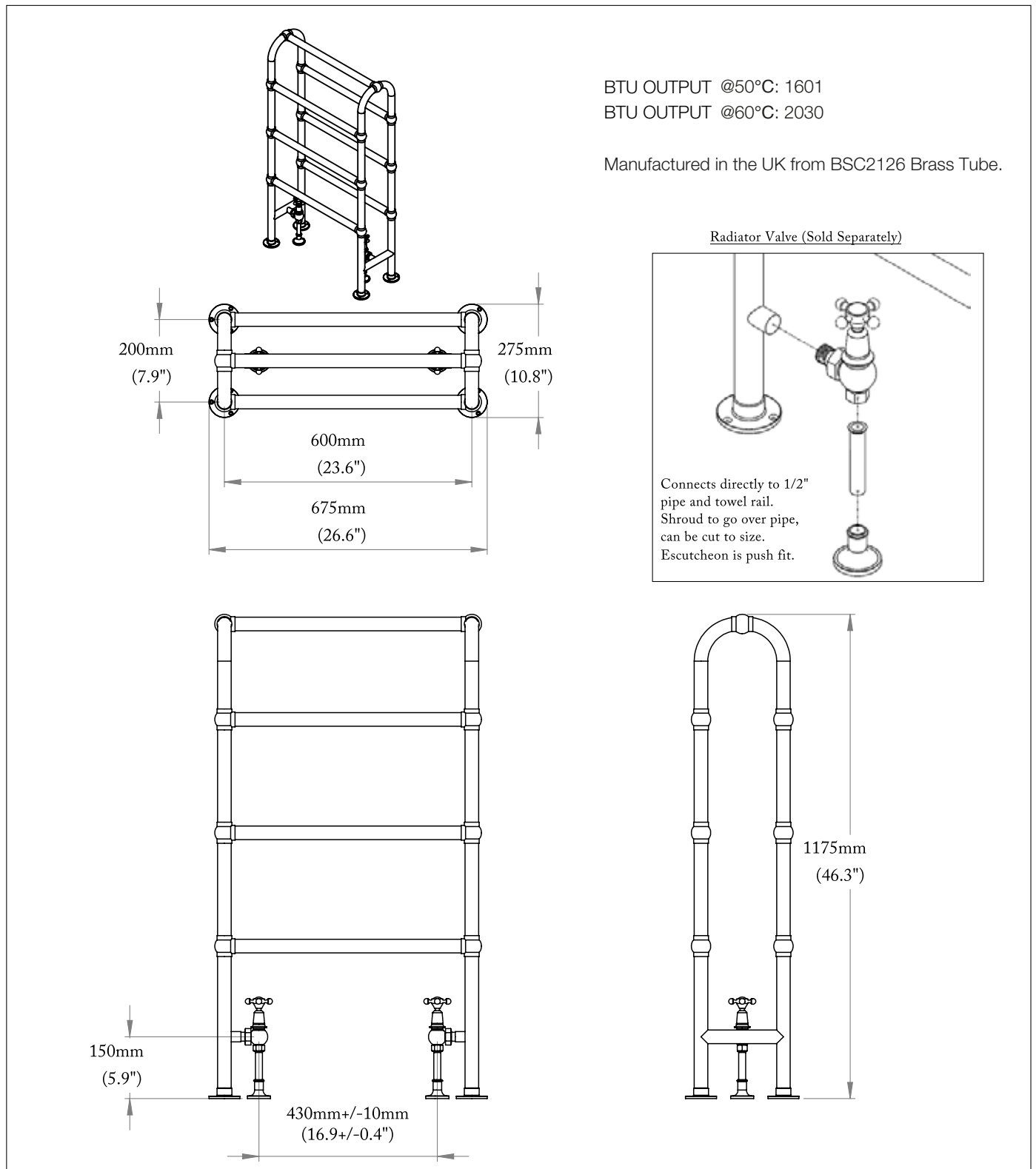


# The Original Arched Ladder Towel Rail (Standard)

## DIMENSIONS (mm)

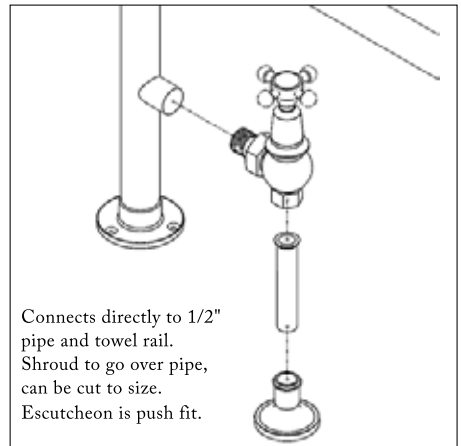


BTU OUTPUT @50°C: 1601

BTU OUTPUT @60°C: 2030

Manufactured in the UK from BSC2126 Brass Tube.

Radiator Valve (Sold Separately)



PLEASE NOTE: Whilst every effort is made to ensure the accuracy of these specification sheets, they are subject to change without notice as part of the company's ongoing product development process.