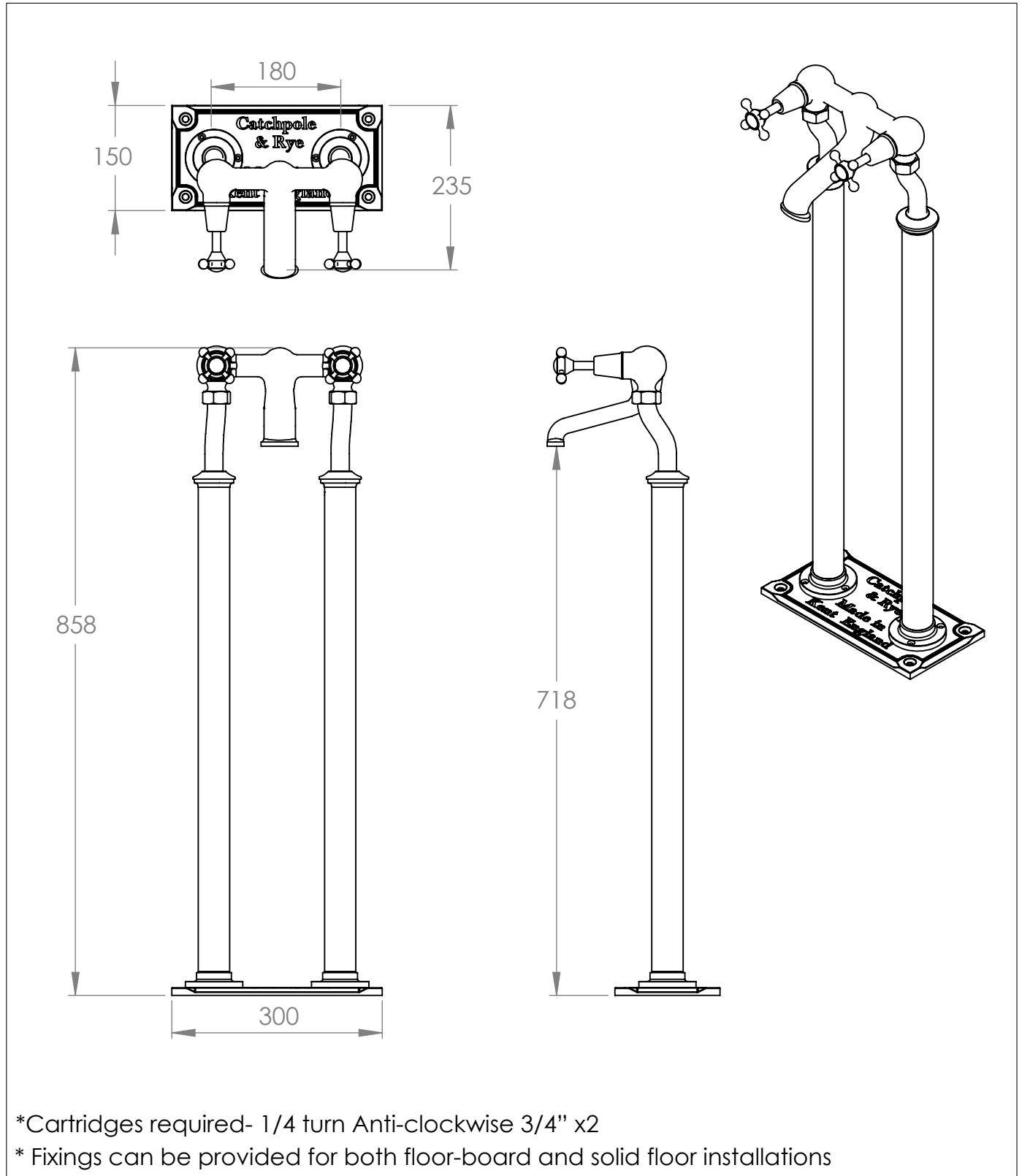


# The English Bathtub Filler on Standpipes

DIMENSIONS (mm)



\*Cartridges required- 1/4 turn Anti-clockwise 3/4" x2

\* Fixings can be provided for both floor-board and solid floor installations

PLEASE NOTE: Whilst every effort is made to ensure the accuracy of these specification sheets, they are subject to change without notice as part of the company's ongoing product development process.

