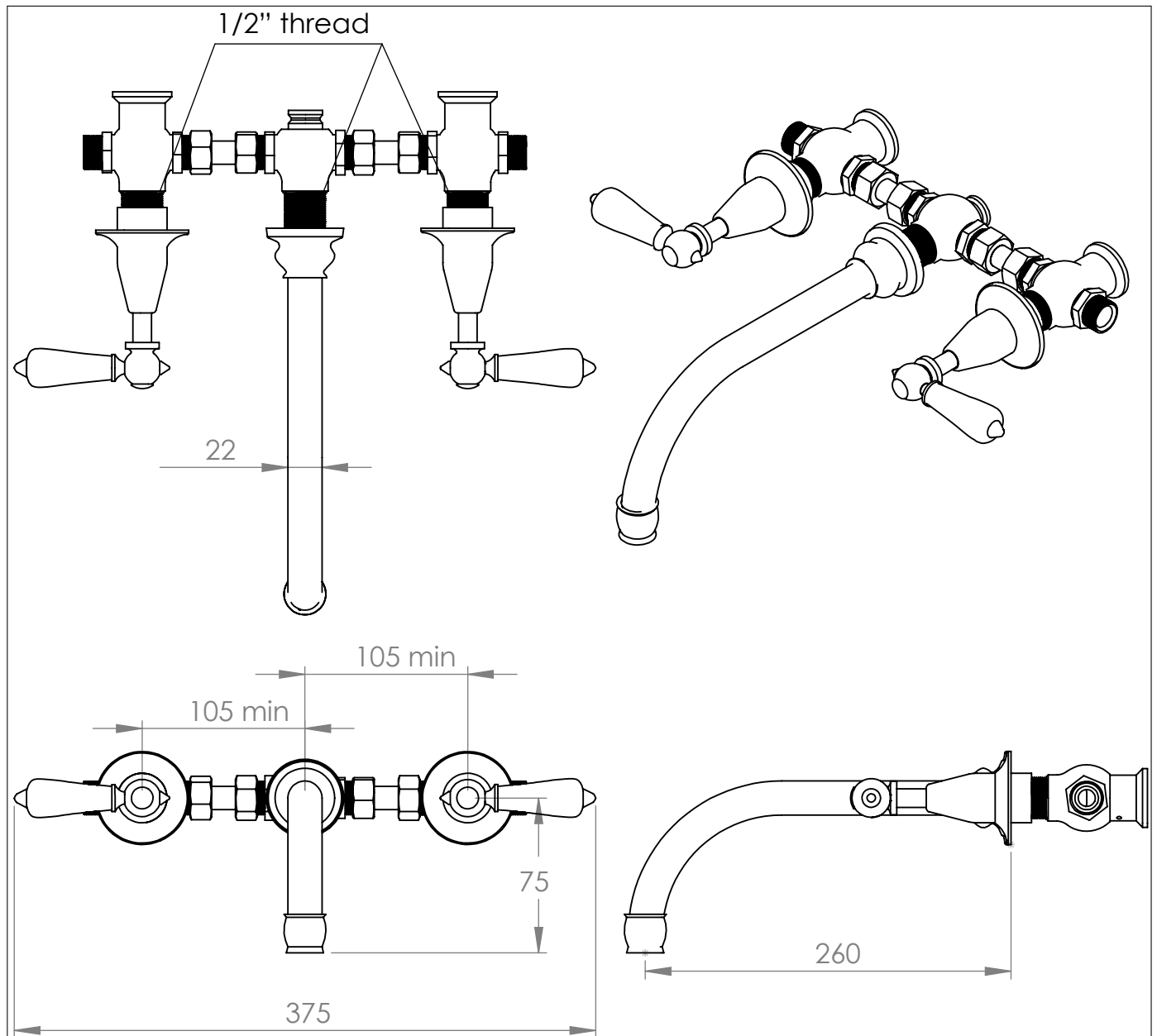


# La Fontaine Wall Mounted Swan Basin Mixer

DIMENSIONS (mm)



\* Cartridges required- 1/4 turn Anti-clockwise 1/2" x1  
1/4 turn Clockwise 1/2" x1

\* Product comes as standard with 15mm feeds, however, this can be altered to 22mm if specified when purchasing.

PLEASE NOTE: Whilst every effort is made to ensure the accuracy of these specification sheets, they are subject to change without notice as part of the company's ongoing product development process.

# The Fontaine Wall Mounted Swan Basin Mixer

DIMENSIONS (mm)

