

# PRODUCT OVERVIEW

## The Original Three Bar Towel Rail

STANDARD, DUAL FUEL & ELECTRIC MODELS

Our classic shape, manufactured in Great Britain from the highest quality brass. The Original 3 Bar heated towel radiator presents a simplicity of design and class with its timeless, tubular structure and detailed finish. The Original Collection of heated bathroom towel rail is presented in a variety of options and finishes to suit your requirements including Aged Brass, Aged Copper, Chromium Plate, Black Nickel and more. Elegant and functional, they can be manufactured to operate as:

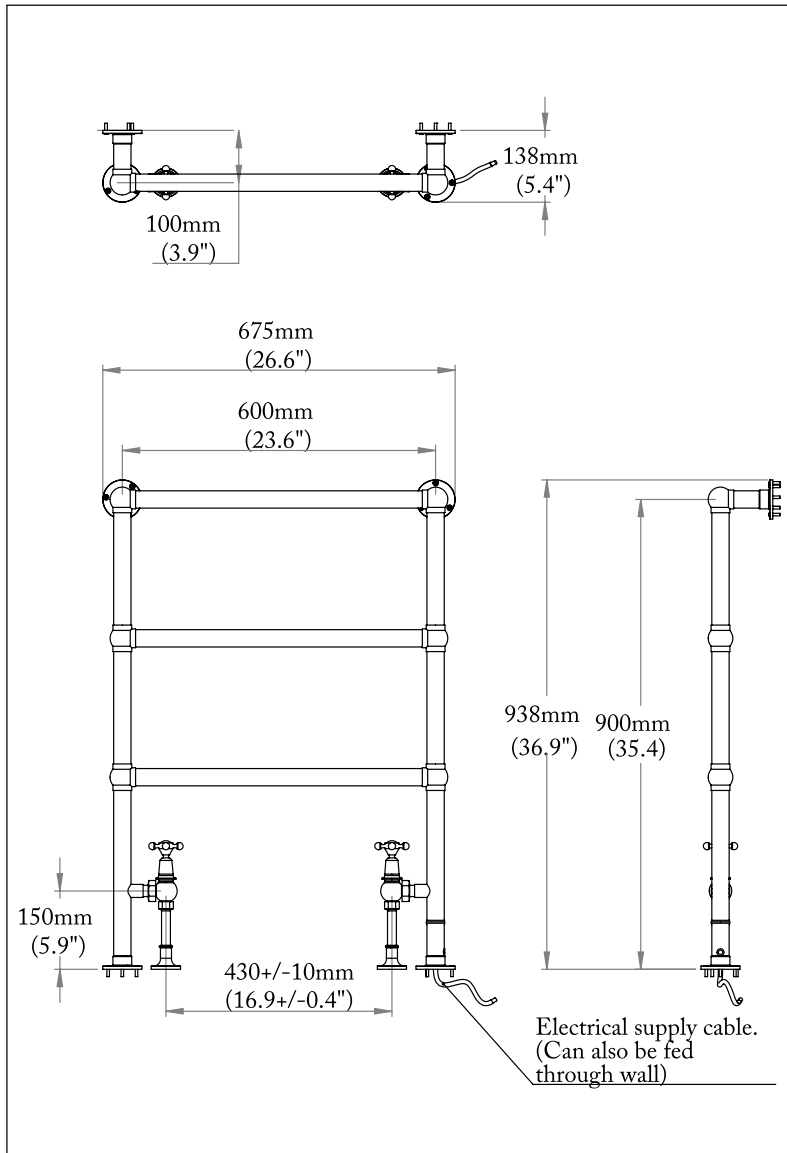
Standard – for central heating systems.

Electric – fitted with an electric element.

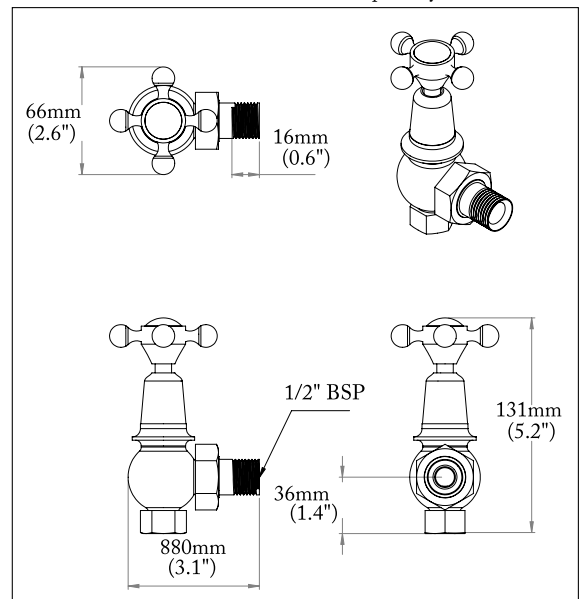
Dual Fuel – suitable for use with both central systems and electric controls.

IMPERIAL DIMENSIONS (IN)	METRIC DIMENSIONS (MM)	BTU RATING	
		@50°C	@60°C
37.7H x 26.6W x 5.4D	938H x 675W x 138D	641	812

### DUAL FUEL EXAMPLE



### RADIATOR VALVES (Sold Separately)



# PRODUCT OVERVIEW

## The Original Three Bar Towel Rail

STANDARD, DUAL FUEL & ELECTRIC MODELS

### STANDARD FINISHES

#### POLISHED BRASS

Buffed and burnished to a high golden sheen, Polished Brass is a living finish that will naturally develop a darker hue.



#### SILVER NICKEL

Silver Nickel is the original plated finish introduced in the late nineteenth century. It resembles a solid silver with warm tones and a golden hue.



#### CHROME PLATE

Used extensively on today's modern fittings, the highly polished and durable finish is silver with a hint of blue undertone.



### PREMIUM FINISHES

#### BRUSHED BRASS

Pure brass that has been lightly abraded by hand to achieve a matt golden finish.



#### BRUSHED NICKEL

A steely silver finish. Its matt appearance generates an industrial feel and allows it to site well within minimal and contemporary settings.



#### BRUSHED CHROME

A more modern blue-silver finish. Dull and steely this finish is also suitable for contemporary settings.



#### AGED BRASS

Pure brass that has been treated to accelerate the process of oxidation generating a dark and warm living bronze finish.



#### BLACK NICKEL

A burnt nickel appearance, resembling the colour of pewter. This minimal finish sits equally well in both contemporary or rustic settings.



#### AGED COPPER

With its rich russet tones, this finish is particularly suited to traditional properties or an industrial style interior.



### RADIATOR VALVES

We manufacture our radiator valves in two styles - The English and La Loire.

Both of which are available in our full range of finishes.



PHONE: +44 1233 840 840  
EMAIL: INFO@CATCHPOLEANDRYE.COM  
ADDRESS: CATCHPOLE & RYE, SARACENS DIARY, ASHFORD, KENT, TN27 0SA

©COPYRIGHT 2023 CATCHPOLE & RYE.  
ALL RIGHTS RESERVED.

WWW.CATCHPOLEANDRYE.COM