

# The Original Ladder Towel Rail

STANDARD, DUAL FUEL & ELECTRIC MODELS

Our classic shape, manufactured in Great Britain from the highest quality brass. The Original Ladder towel radiator presents a simplicity of design and class with its timeless, tubular structure and detailed finish. The Original Collection of heated bathroom towel rail is presented in a variety of options and finishes to suit your requirements including Aged Brass, Aged Copper, Chromium Plate, Black Nickel and more. Elegant and functional, they can be manufactured to operate as:

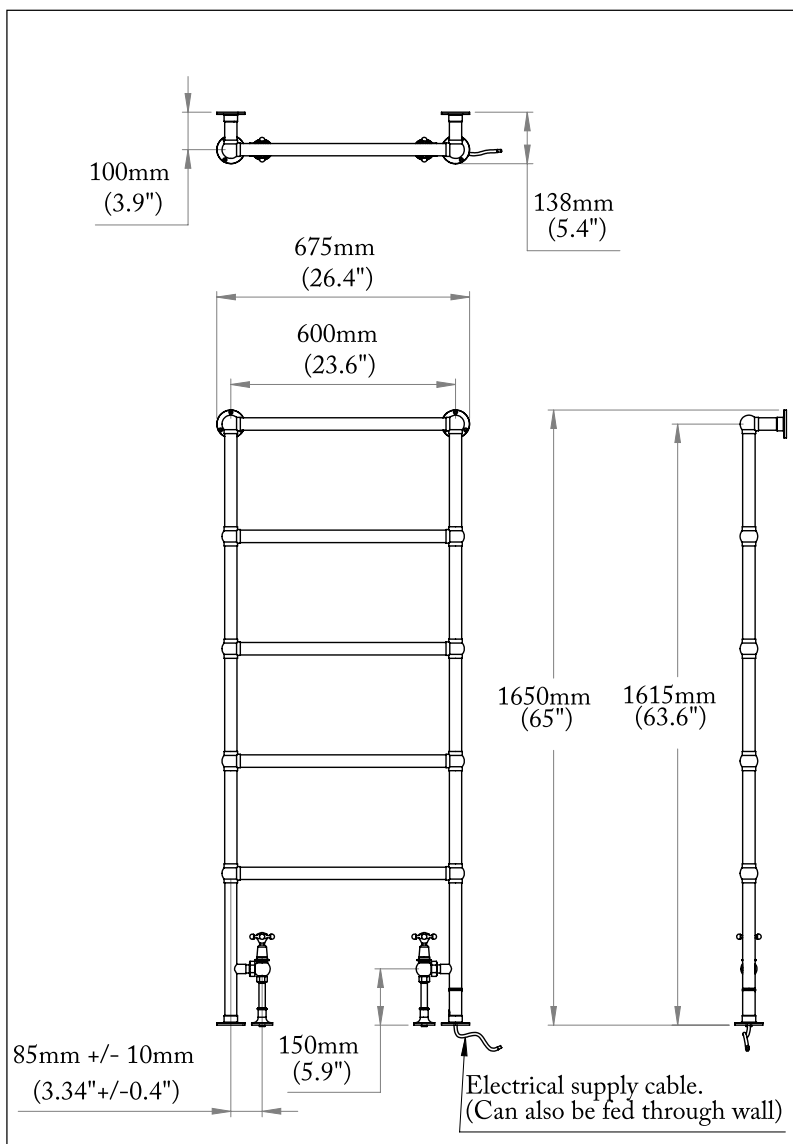
Standard – for central heating systems.

Electric – fitted with an electric element.

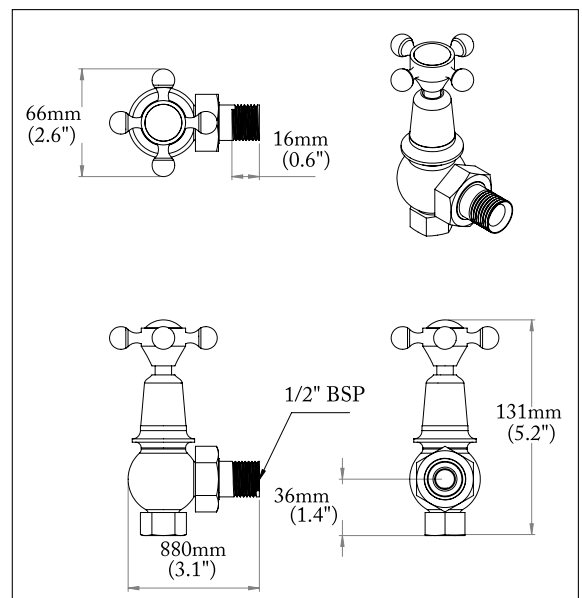
Dual Fuel – suitable for use with both central systems and electric controls.

IMPERIAL DIMENSIONS (IN)	METRIC DIMENSIONS (MM)	BTU RATING	
		@50°C	@60°C
65H x 26.4W x 5.4D	1650H x 675W x 138D	1071	1357

## DUAL FUEL EXAMPLE



## RADIATOR VALVES (Sold Separately)



# The Original Ladder Towel Rail

STANDARD, DUAL FUEL & ELECTRIC MODELS

## STANDARD FINISHES

**POLISHED BRASS**  
Buffed and burnished to a high golden sheen, Polished Brass is a living finish that will naturally develop a darker hue.



**SILVER NICKEL**  
Silver Nickel is the original plated finish introduced in the late nineteenth century. It resembles a solid silver with warm tones and a golden hue.



**CHROME PLATE**  
Used extensively on today's modern fittings, the highly polished and durable finish is silver with a hint of blue undertone.



## PREMIUM FINISHES

**BRUSHED BRASS**  
Pure brass that has been lightly abraded by hand to achieve a matt golden finish.



**BRUSHED NICKEL**  
A steely silver finish. Its matt appearance generates an industrial feel and allows it to sit well within minimal and contemporary settings.



**BRUSHED CHROME**  
A more modern blue-silver finish. Dull and steely this finish is also suitable for contemporary settings.



**AGED BRASS**  
Pure brass that has been treated to accelerate the process of oxidation generating a dark and warm living bronze finish.



**BLACK NICKEL**  
A burnt nickel appearance, resembling the colour of pewter. This minimal finish sits equally well in both contemporary or rustic settings.



**AGED COPPER**  
With its rich russet tones, this finish is particularly suited to traditional properties or an industrial style interior.



## RADIATOR VALVES

We manufacture our radiator valves in two styles - The English and La Loire. Both of which are available in our full range of finishes.

